



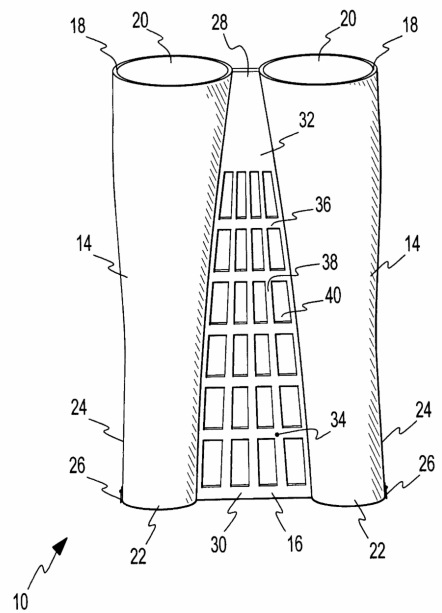
On This Day
IN PATENT HISTORY

CDN

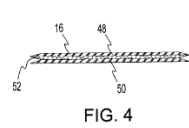
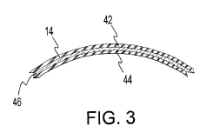
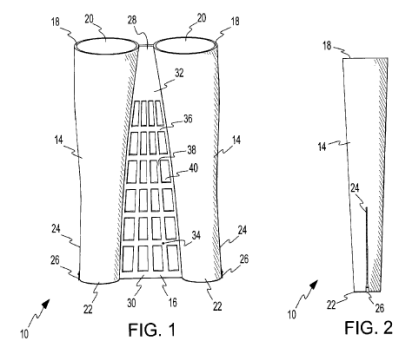
"Also handy for gathering up all those beer cups and ping pong balls after your party."

August 12, 2003

Leaf Gathering Trousers



U.S. Patent Aug. 12, 2003 Sheet 1 of 3 US 6,604,245 B1



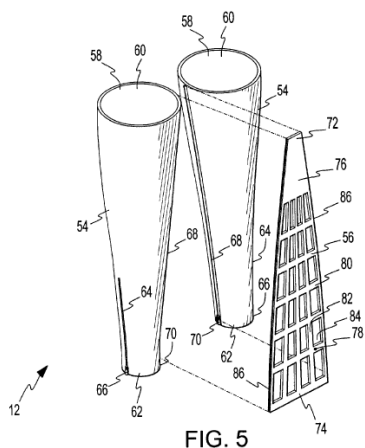


FIG. 5

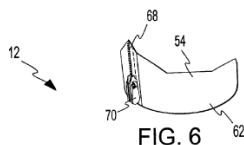


FIG. 6

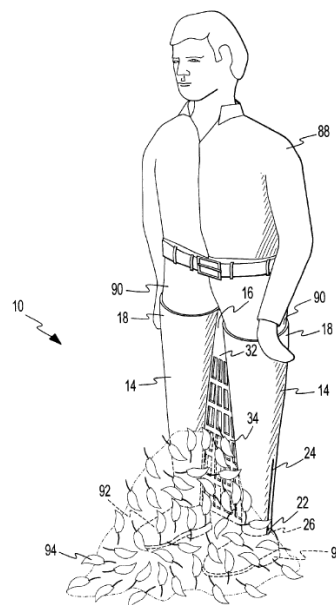


FIG. 7

Inventor: Paul Kinnier

Publication Number: US 6,604,245 B1

Product Description: What if we told you that you never had to pick up a rake or buy a leaf blower again? Ditch the back straining, hand blistering rake, and the expensive leaf blower for this all in one solution - The Leaf Gathering Trousers! Simply slip on the *stylish* leg stalls, zip on the net, and stroll your way around the yard. As you walk, the net corrals the leaves into piles that can be easily picked up later.

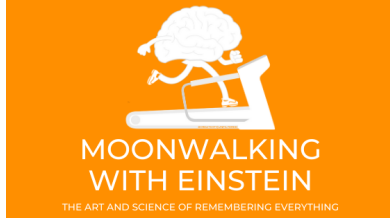
Need Help With A Patent or Design?

CDN can help guide you through the patent process as well as assist with any final design changes before a patent is submitted.

[Visit Our Website](#)

Call Us: 262-334-8036

Blog Posts

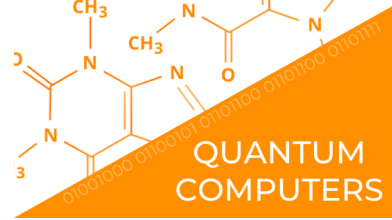


Moonwalking with Einstein Book Review | Memory Techniques

Imagine you're exhibiting at a trade show. You have the perfect display. The very best location. You've paid tens of thousands of dollars to borrow the floor space for just a short few hours of time. It's an intense "speed dating" opportunity...

[Read more](#)

www.cdn-inc.com



Quantum Computers | What are Quantum Computers?

Truly strange and unexpected behaviors of subatomic particles have been discovered by science in the recent past - just the last about 50 years or so. Einstein's work predicted some of this, but even Einstein couldn't figure out if the theories...

[Read more](#)

www.cdn-inc.com

View our previous newsletters, [here](#).



Creative Design Network | 262.224.8036 | [Email](#) | [Website](#)

