



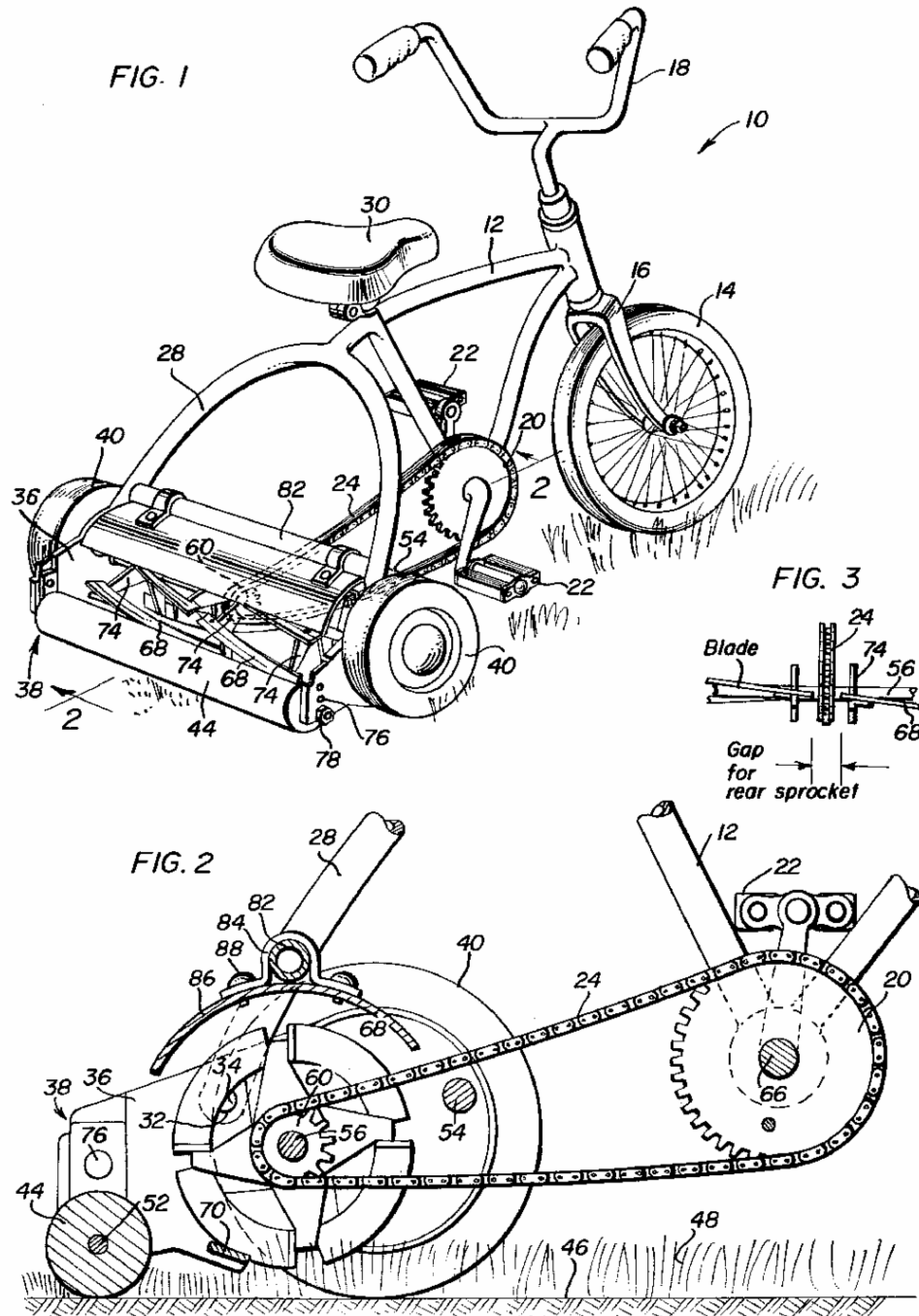
*On This Day*  
**IN PATENT  
HISTORY**

**CDN**

*The perfect gift to get your freeloading 3-year old kid to chip in on the yard work!*

---

**June 26, 1984**  
**Pedal Operated Mower**



**Inventor:** Deanna F. Porath

**Publication Number:** US4455816A

**Product Description:** The Pedal Operated Mower is exactly as the name describes. For those who are feeling extra ambitious, mow your lawn in style while getting exercise. This tricycle features pedals that are connected via chain to a rear sprocket mounted on a shaft which contains cutting blades, a padded seat to make your ride comfortable,

and a set of gooseneck handlebars. In the event that you reach high speeds on this trike, a protective shield mounted on the frame will protect you from debris.

## Need Help With A Design or Patent?

CDN can help guide you through the patent process as well as assist with any final design changes before a patent is submitted.

[Visit Our Website](#)

Call Us: 262-334-8036

## Blog Posts



### Wax Motors | What Are Wax Motors And How Do They Work?

Word association: When you think of wax, what comes to mind? Things like candles, bees, ears... That's the same stuff we're talking about here. How about the word "motor"? rotating, electrical, spinning, motor... yeah, that's what most of us...

[Read more](#)

[www.cdn-inc.com](http://www.cdn-inc.com)



### The Five Dysfunctions of a Team | A Leadership Fable |...

Pat Lencioni is a constant producer and encourager in the business leadership space. If you've listened to any number of Dave Ramsey's Entreleadership podcast episodes, you've heard of Pat. He's a frequent guest of many other interview-style...

[Read more](#)

[www.cdn-inc.com](http://www.cdn-inc.com)

View our previous newsletters, [here](#).

