

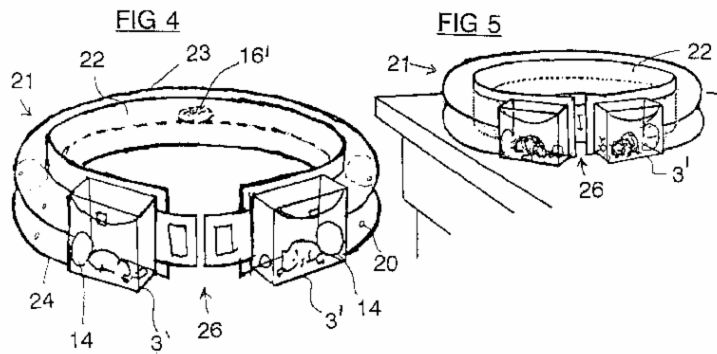
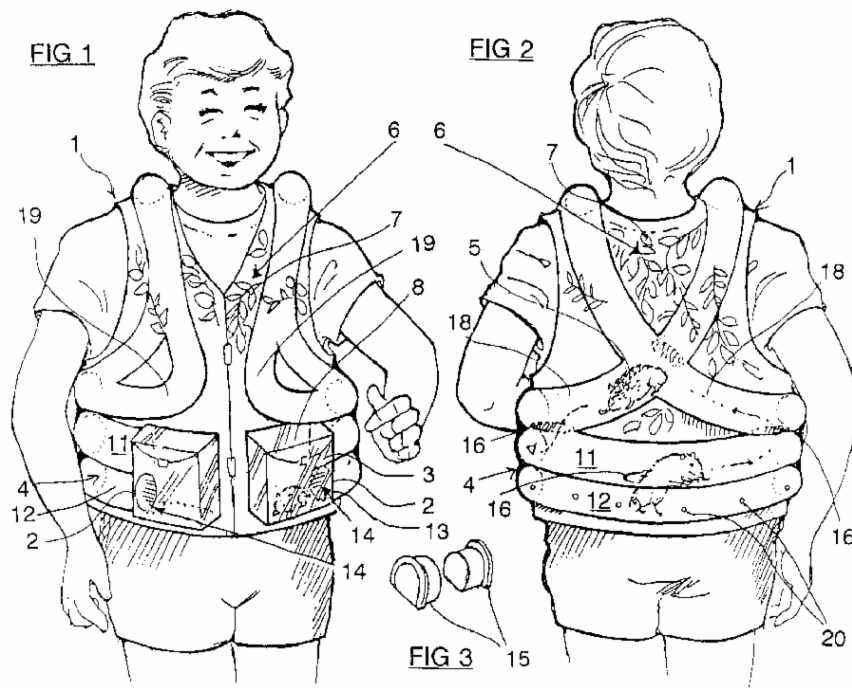
*On This Day*  
**IN PATENT  
HISTORY**

**CDN**

*You no longer have to stay in your mom's basement playing with your rodents all by yourself! Just strap on your Gerbil Shirt, go to your favorite night club, and meet some new friends!*

---

**May 11, 1999**  
**Pet Display Clothing**



**Inventor:** Brice Belisle

**Publication Number:** US5,901,666A

**Product Description:** The Pet Display Clothing (Gerbil Shirt) provides a means for an individual to bring their small pets out with them. Extended around the users body are tubular, pet receiving passageways that terminate with pocket-like chambers for feeding and retrieval. The tubular transparent outer walls allow spectators to view your furry friend running through the tubes.

CDN can help guide you through the patent process as well as assist with any final design changes before a patent is submitted.

[Visit Our Website](#)

[Call Us: 262-334-8036](tel:262-334-8036)

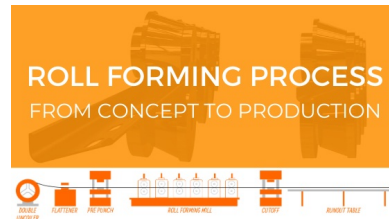
## Blog Posts



### How to Fly a Horse - Creation, Invention, & Discovery |...

How much creation, invention, and discovery is truly the result of independent inspired thought? Kevin Ashton would argue this is an exceedingly rare event. He does so in his book How to Fly a Horse. Admittedly for a person inspired and intrigued ...

[Read more](#)  
[www.cdn-inc.com](http://www.cdn-inc.com)



### Roll Forming Process | Ultimate Guide 2020 | Concept to...

If sheet metal fabrication and aluminum extruding got together and had a baby, you'd get roll forming. Roll forming is like sheet metal fabrication where thin flat sheets of metal are bent into a 3D shape, but in contrast, these bends are formed...

[Read more](#)  
[www.cdn-inc.com](http://www.cdn-inc.com)

View our previous newsletters, [here](#).



Creative Design Network | 262.224.8036 | [Email](#) | [Website](#)

